





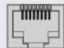
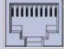





Test Contacts for Standard Interfaces - Overview

DUT	Order Code	Description	Typical Applications
	2112159	USB test plug, 9-pole, type A	USB-devices like hard disks, data carriers, power supplies etc.
	2112143	USB test plug, 4-pole, type A	USB-devices like hard disks, data carriers, chargers, etc.
	2112144	Mini USB test plug, 5-pole, type B	Small USB-devices like cameras, mobile phones, etc.
	2112145	Micro USB test plug, 5-pole, type B	Very small USB-devices like smartphones, tablets, etc.
	2112151	RJ9 test plug, 4-pole	Micro telephones and headsets
	2112152	RJ11 test plug, 6-pole	Data networks, data transfer, power supply, microphones etc.
	2112142	RJ45 test plug, 8-pole	Network cables, Ethernet interfaces, etc.
	2112153	RJ50 test plug, 10-pole	Data networks, data transfer, power supply, microphones etc.
	2112148	HDMI test plug, 19-pole	Video and audio applications
	2112149	F-type test plug	Antenna cables and routers
	2112150	RCA test plug	Standard cinch connector for audio coaxial cables





2112159

NEW

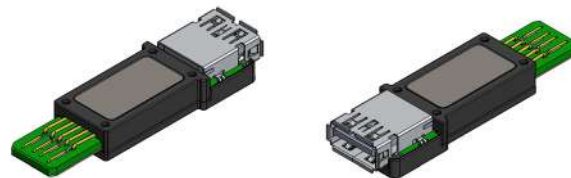
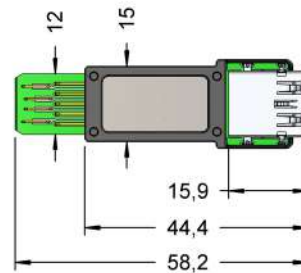
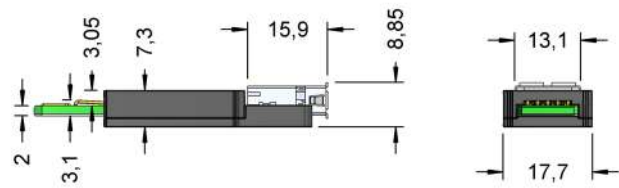
TC-P 198 009 USB 3.0 Test Connector for USB 3.0

Max. Data rate	4 Gbit/s
Voltage	25 VAC / 60 VDC
Current	1,5 A at 25°C
R typ	<50 mOhm
Temperature	-20°C...+75°C

Test connector for USB 3.0 (9 pole) for contacting USB interfaces. Application in high speed USB devices like hard disks, data carriers, power supplies etc.

Features:

- Report on USB type A
- Smooth contact to test item (front view)
- Easy connection to test system with standard USB cable (rear view)
- Up to 50.000 contact cycles



Front view

Rear view

Series	Pole count	Type
e.g. TC-P 198	009	USB 3.0 A
Holding device	Contact side	Version

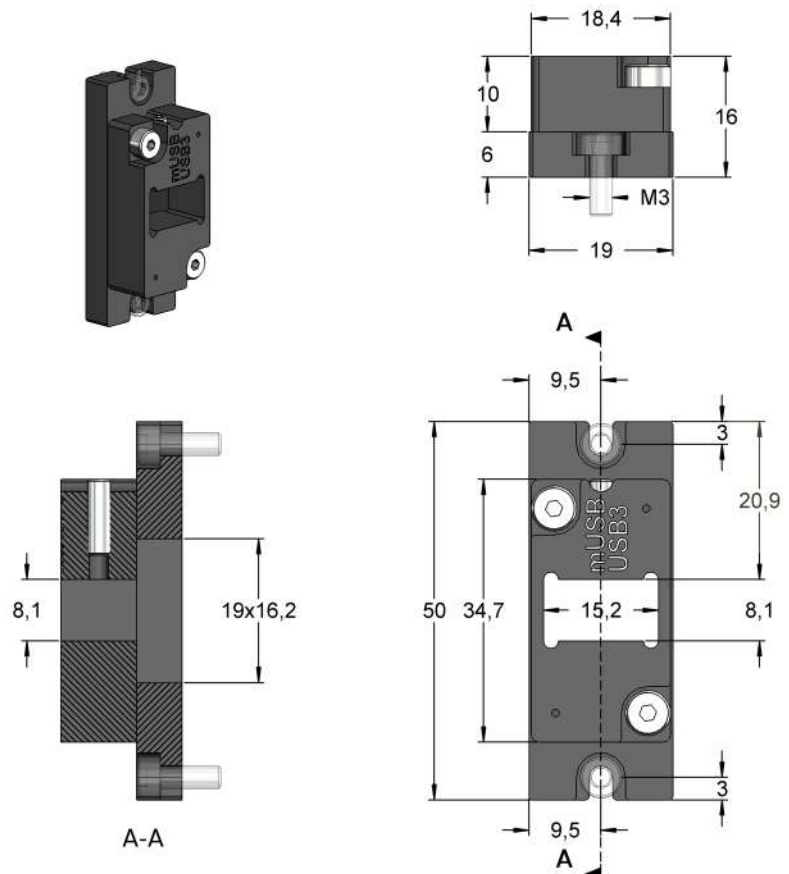
Test connector also possible as a piling version (holding device TC-H 208 for 2x test connector USB 3.0, note: for mounting spacer TC-D 202 necessary).

2112198

TC-H 198 Holding Device for Test Connector USB2.0/USB3.0

Due to the centered seat of the test connector the holding device allows a parallel movement of the test connector and its connection.

- Floating-mounting of test connectors of $\pm 0,4$ mm in x- and y-direction
- A torsion angle of up to $1.8^\circ \pm 0.2^\circ$ is possible
- The holding device has a life cycle of more than 500.000 mechanical movements
- The holding device is fixed only by two screws at the upper and lower ends
- The test connector is attached to the holding device using only one locking screw

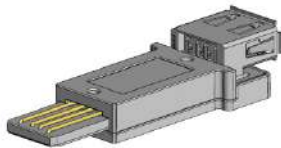


The threaded pin requires a hex wrench SW1,5.

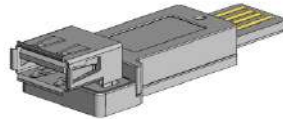
Contact for USB connector

USB connector (4 points) for contacting USB interfaces
(used for USB-devices like hard disks, data carriers,
chargers, etc.)

- Report on USB type A
- Smooth contact to test item (front view)
- More than 100 000 touch downs without the need
of exchanging the contact
- Simple connection to the test system with standard
USB-connector (back view)

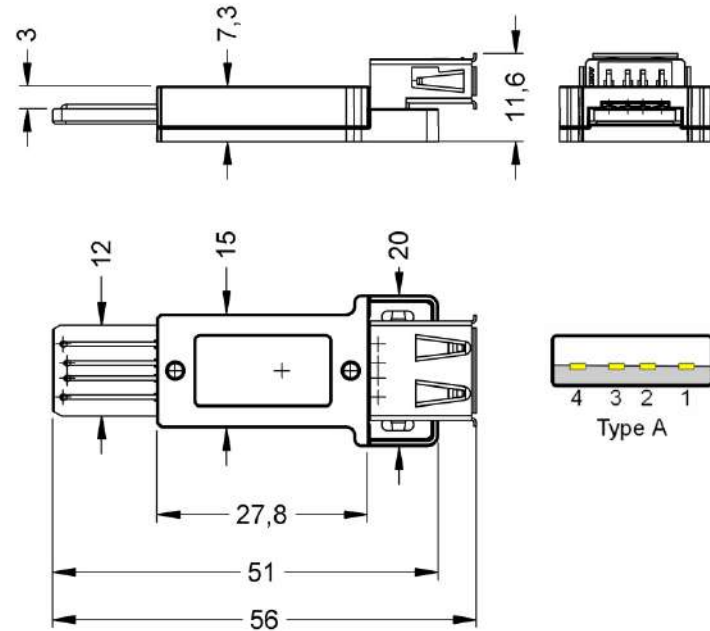


Front view



Back view

Current:	1,5 A at 25° C
Derating up to:	0,2 A at 70° C
Resistance:	< 5 mOhm
Temperature:	- 20° to +80° C

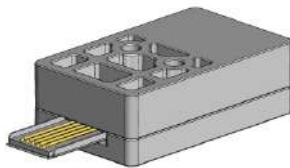


Order Code: 2112143

Contact for Mini USB

Mini USB connector (5 points) for contacting Mini USB interfaces (used for small USB-devices like cameras, mobile phones, music players, hard disks, data carriers etc.)

- Report on mini USB type B
- Smooth contact to test item (front view)
- More than 100 000 touch downs without the need of exchanging the contact
- Simple connection to the test system with standard USB-connector (back view)

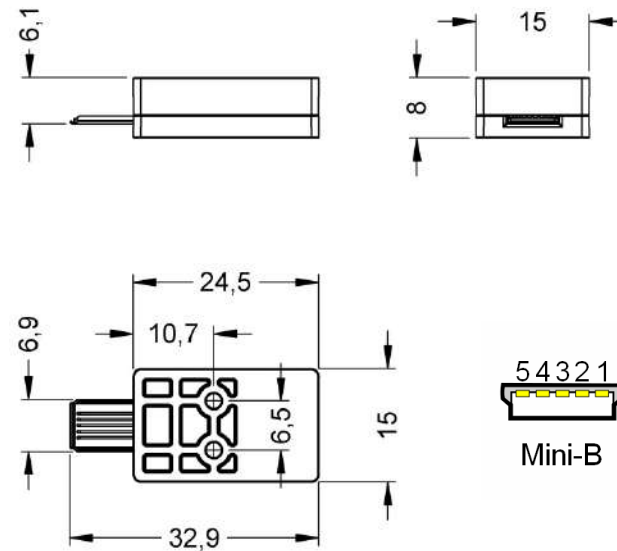


Front view



Back view

Current:	1,5 A at 25° C
Derating up to:	0,2 A at 70° C
Resistance:	< 10 mOhm
Temperature:	- 20° to +80° C



5 4 3 2 1
Mini-B

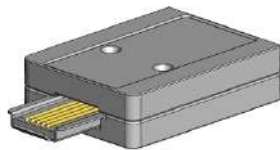
Order Code: 2112144

Contact for Micro USB

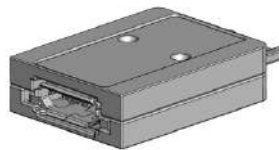
Current: 1,5 A at 25° C
 Derating up to: 0,2 A at 70° C
 Resistance: < 10 mOhm
 Temperature: - 20° to +80° C

Micro USB connector (5 points) for contacting Micro USB interfaces (used for small USB-devices like cameras, mobile phones, music players, hard disks etc.)

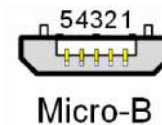
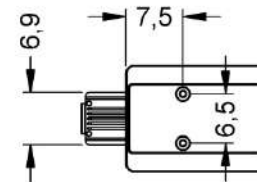
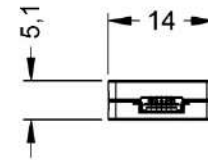
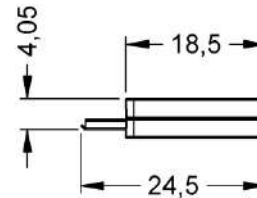
- Report on micro USB type B
- Smooth contact to test item (front view)
- More than 100 000 touch downs without the need of exchanging the contact
- Simple connection to the test system with standard USB-connector



Front view



Back view



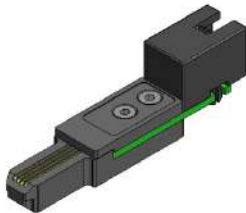
Order Code: 2112145

Contact for RJ-9, 4-Pole

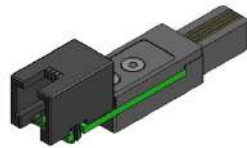
Current:	1,5 A at 25° C
Derating up to:	0,2 A at 70° C
Resistance:	< 8 mOhm
Temperature:	- 20° to +80° C

Test solution for RJ-9 connectors (used e.g. for micro telephones and headsets).

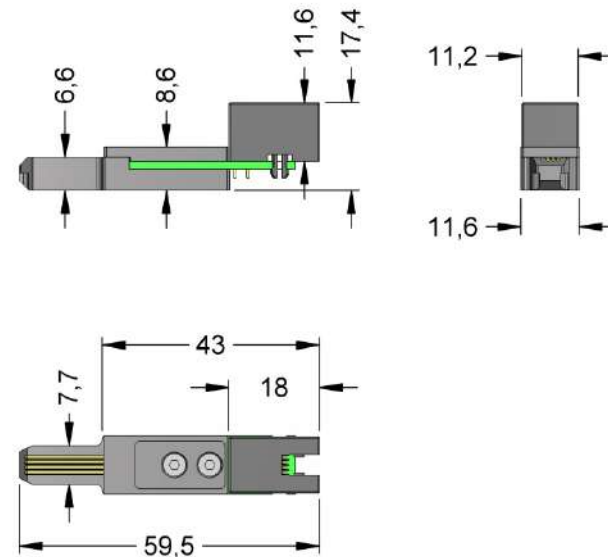
- Smooth contact to test item
- Easy way to connect on your RJ-9 connector (4-pole).
- Up to 50 000 touch downs without the need of exchanging the contact



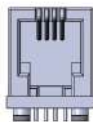
Front view



Back view



Order Code: 2112151

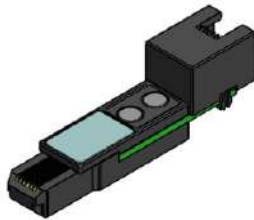


Contact for RJ-11, 6-Pole

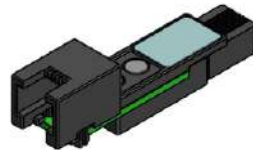
Current: 1,5 A at 25° C
 Derating up to: 0,2 A at 70° C
 Resistance: < 8 mOhm
 Temperature: - 20° to +80° C

Test solution for RJ-11 connectors (used e.g. for data networks, data transfer, power supply, microphones etc.)

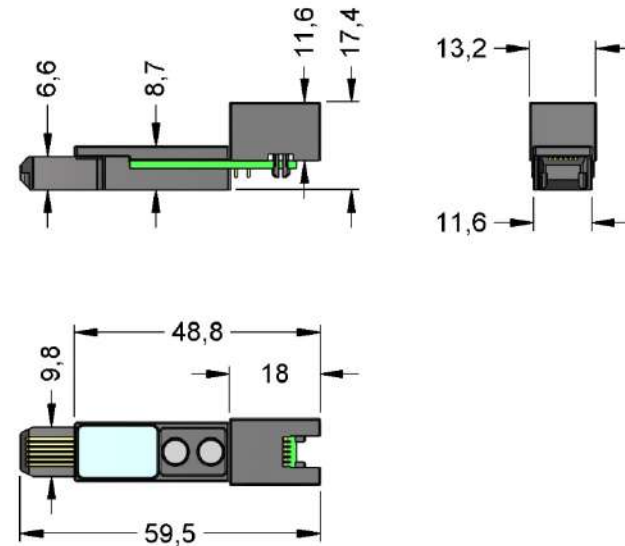
- Smooth contact to test item
- Easy way to connect on your RJ-11 connector (6-pole).
- Up to 50 000 touch downs without the need of exchanging the contact



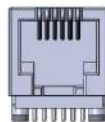
Front view



Back view



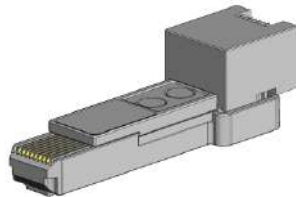
Order Code: 2112152



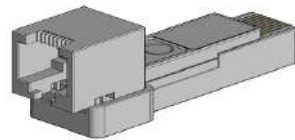
Contact for RJ-45

RJ-45 connector (8 point) for contacting RJ-45 interfaces
(used for network cables, Ethernet interfaces, etc.)

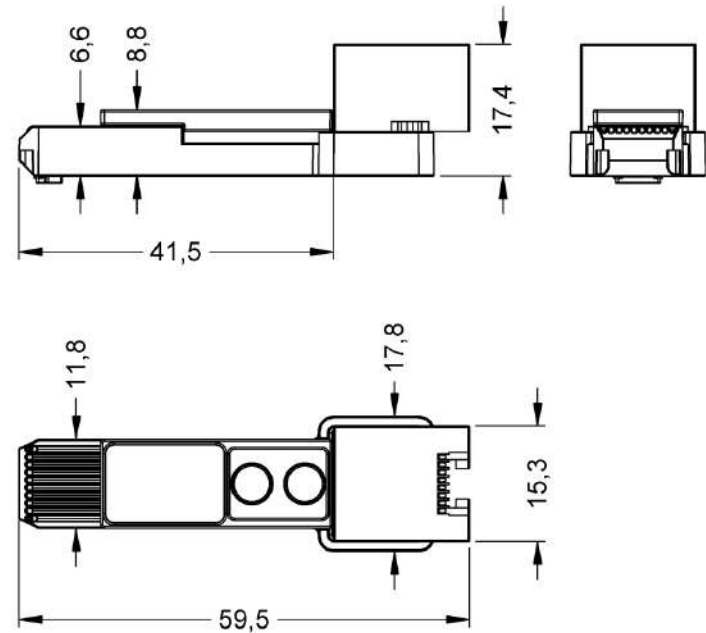
- Report on RJ45 sockets
- Smooth contact to test item
- More than 100 000 touch downs without the need of exchanging the contact



Front view



Back view



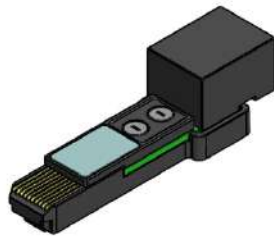
Current:	1,5 A at 25° C
Derating up to:	0,2 A at 70° C
Resistance:	< 8 mOhm
Temperature:	- 20° to +80° C

Order Code: 2112142

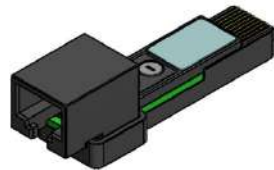
Contact for RJ-50, 10-Pole

Test solution for RJ-50 connectors (used e.g. for data networks, data transfer, power supply, microphones etc.)

- Smooth contact to test item
- Easy way to connect on your RJ-50 connector (10-pole).
- Up to 50 000 touch downs without the need of exchanging the contact



Front view

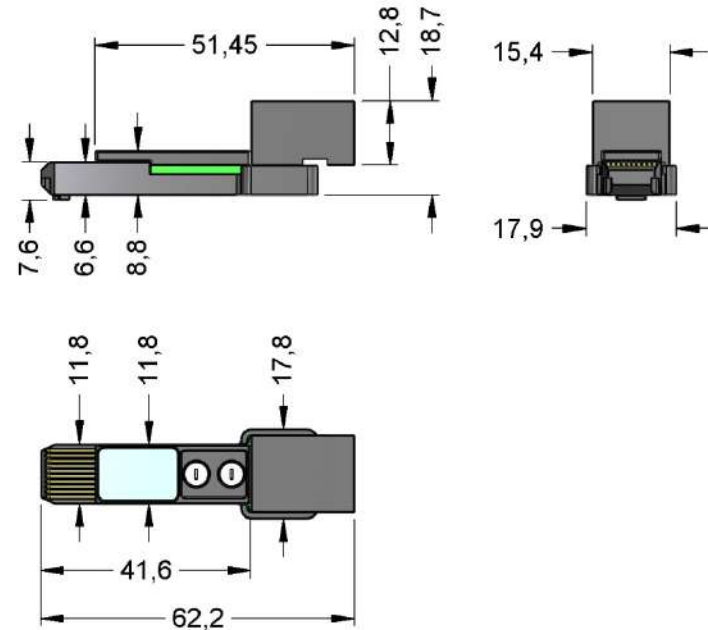


Back view

Order Code: 2112153



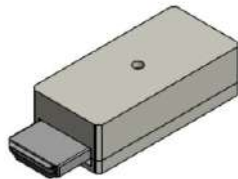
Current:	1,5 A at 25° C
Derating up to:	0,2 A at 70° C
Resistance:	< 8 mOhm
Temperature:	- 20° to +80° C



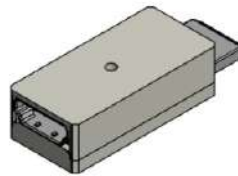
Contact for HDMI

Test solution for 19 point HDMI connectors (used for video and audio applications).

- Smooth contact to test item
- Easy way to connect on your HDMI connector (big chamfer)
- Up to 50 000 touch downs without the need of exchanging the contact



Front view

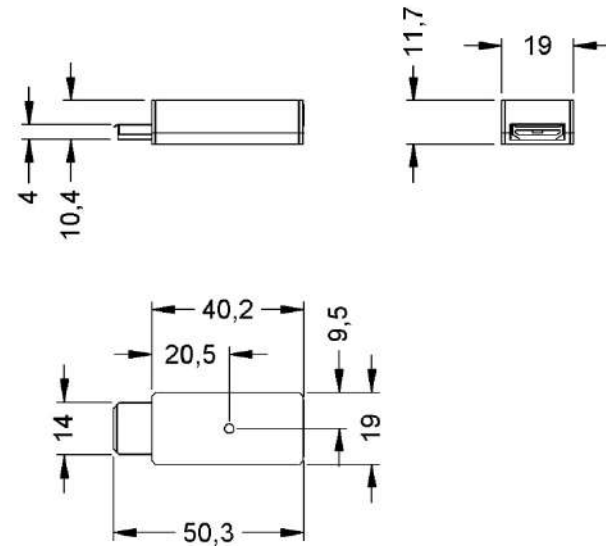


Back view

Order Code: 2112148



Current:	1,5 A at 25° C
Derating up to:	0,2 A at 70° C
Resistance:	< 8 mOhm
Temperature:	- 20° to +80° C



Contact for F-Connector

Test solution for F-connectors (used e.g. for antenna cables and routers).

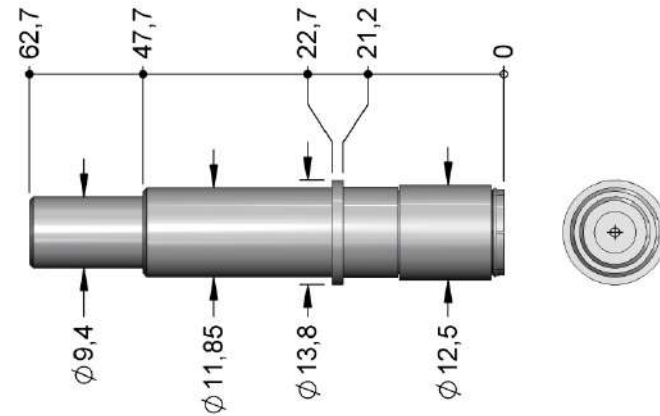
- Smooth contact to test item
- Easy way to connect on your QF connector.
- Up to 50 000 touch downs without the need of exchanging the contact



Front view



Back view



Current:	1,5 A at 25° C
Derating up to:	0,2 A at 70° C
Resistance:	< 8 mOhm
Temperature:	- 20° to +80° C

Order Code: 2112149



Contact for RCA

Current: 1,5 A at 25° C
 Derating up to: 0,2 A at 70° C
 Resistance: < 8 mOhm
 Temperature: - 20° to +80° C

Test solution for RCA connectors (used as standard cinch connector for audio coaxial cables).

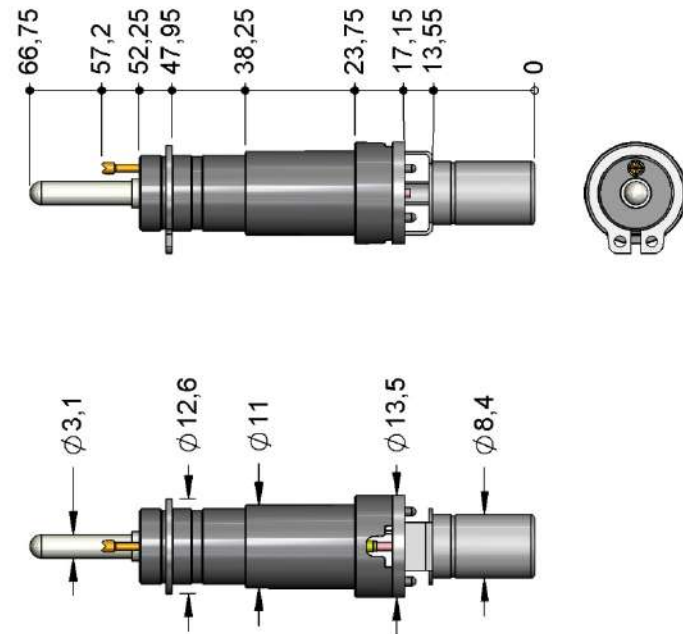
- Smooth contact to test item
- Easy way to connect on your RCA connector
- Up to 50 000 touch downs without the need of exchanging the contact



Front view



Back view



Order Code: 2112150

